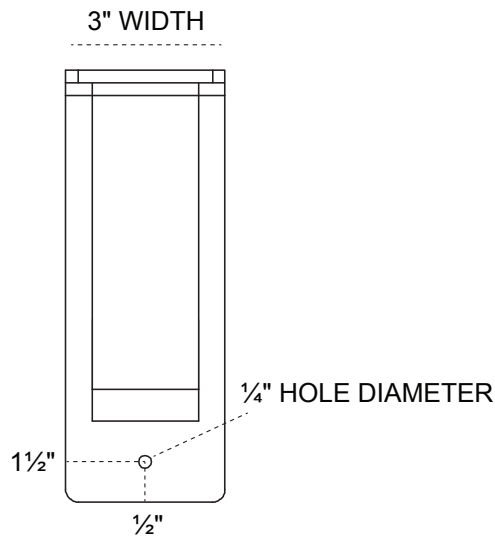


# 3-INCH W X 8-INCH D X 8-INCH H MORRIS BRACKET

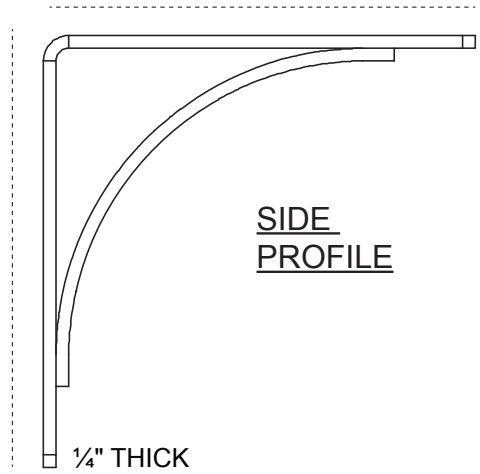
FRONT  
PROFILE



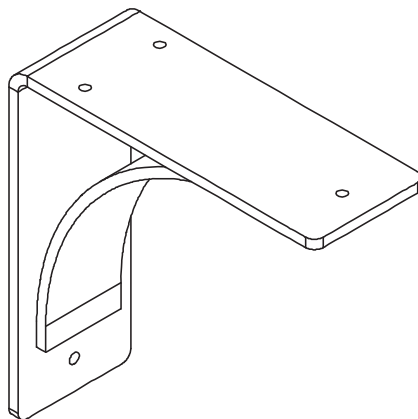
8" HEIGHT

8" DEPTH

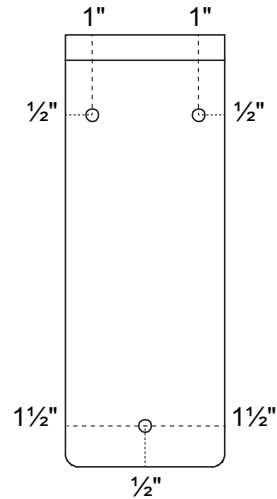
SIDE  
PROFILE



ISOMETRIC  
PROFILE



BACK



**HEAVY-DUTY 1/4" THICK**

**AVAILABLE IN:**

STAINLESS STEEL  
ZINC PLATED STEEL  
POWDER COATED BLACK

**BKTM03X08X08MOSS**  
**BKTM03X08X08MOCRS**  
**BKTM03X08X08MOPBL**

P:866.607.0453 | F: 866.591.3143  
2300 W. Main St. | Clarksville, TX 75426  
sales@ekenamillwork.com | www.ekenamillwork.com



**EKENA**  
MILLWORK